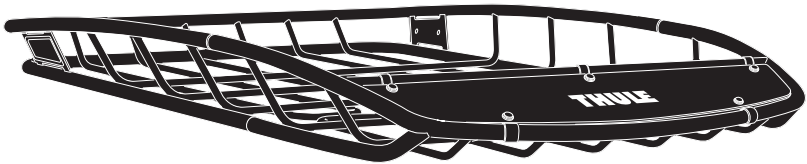


# Thule Canyon XT 859XT

## > Instructions



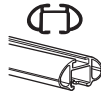
Carrier Basket



**CITY CRASH**  
Complies with ISO norm



THULE WingBar/  
AeroBlade



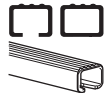
THULE AeroBar/  
Rapid Aero



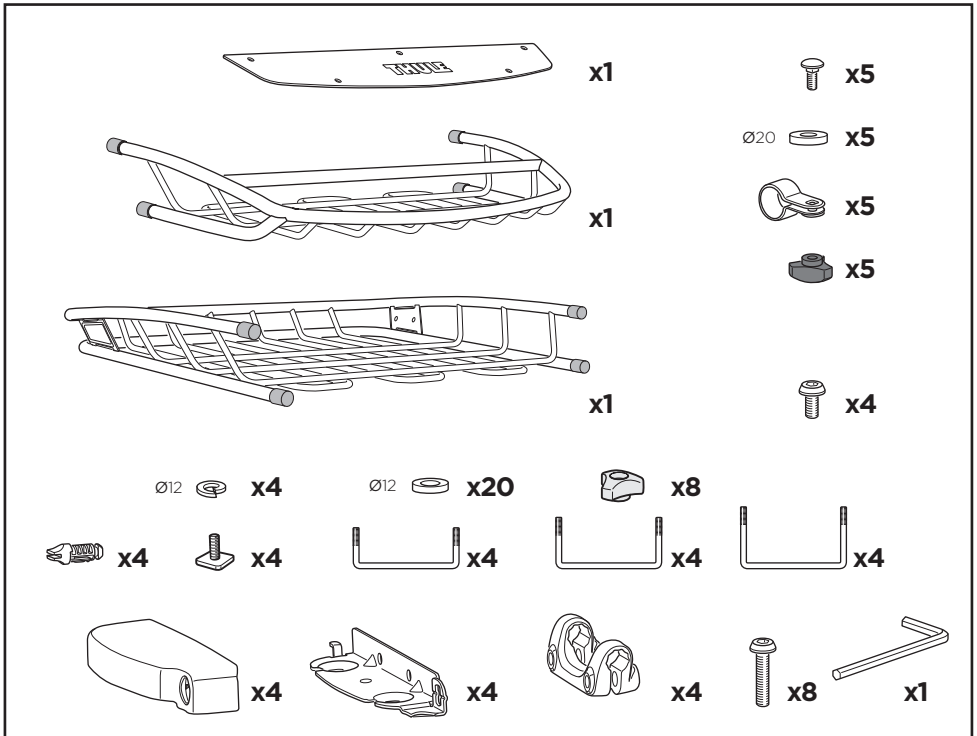
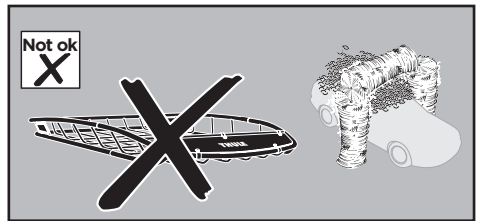
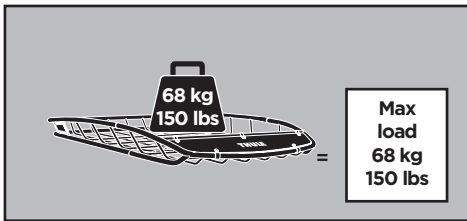
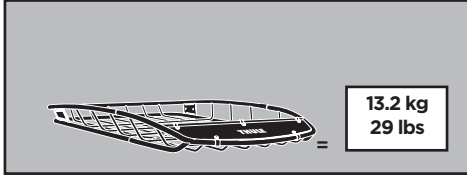
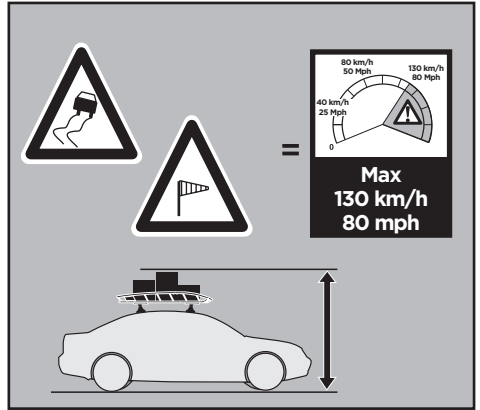
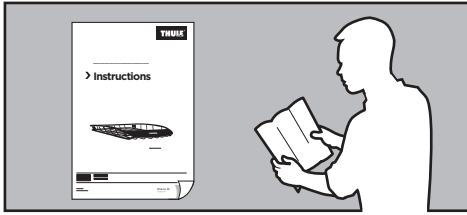
THULE SlideBar

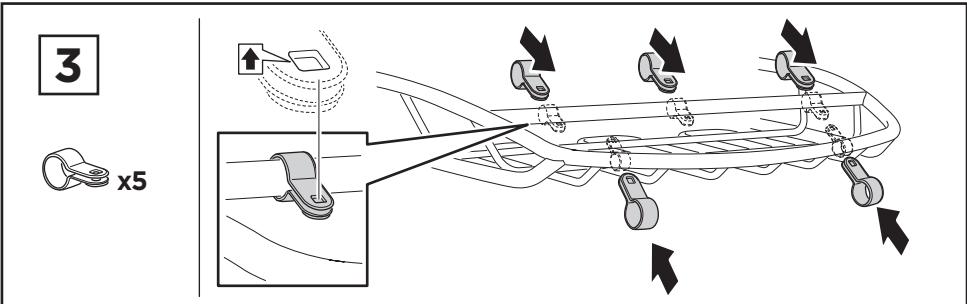
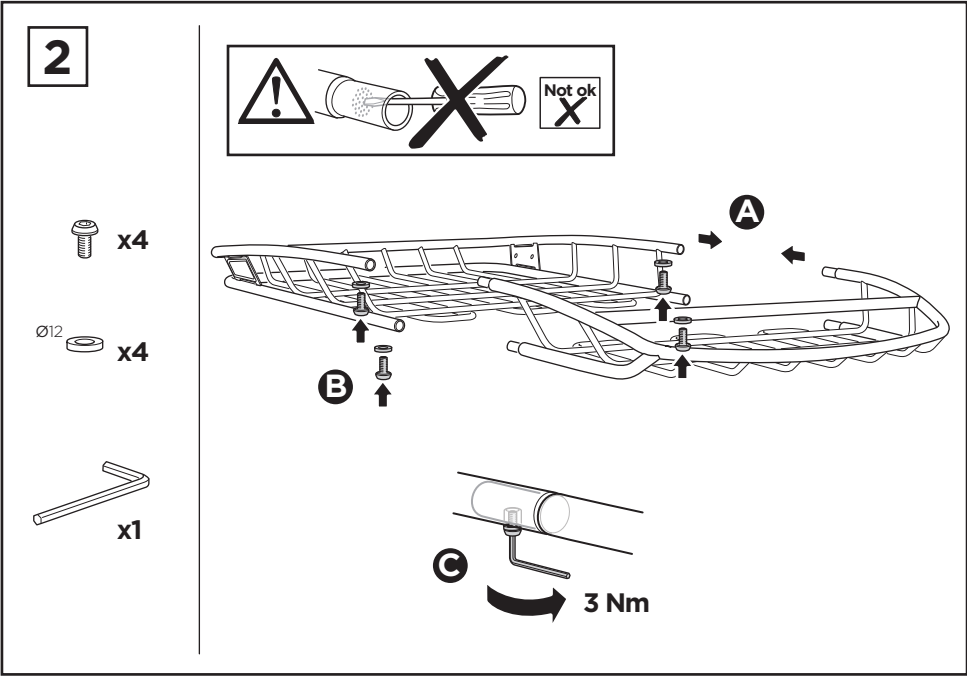
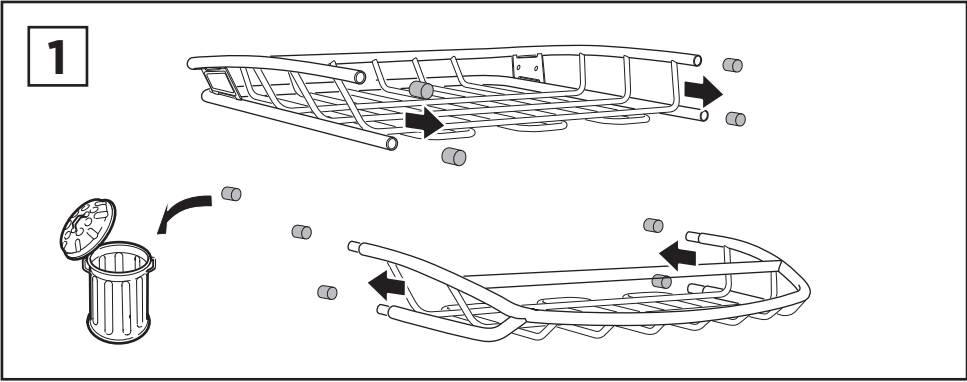


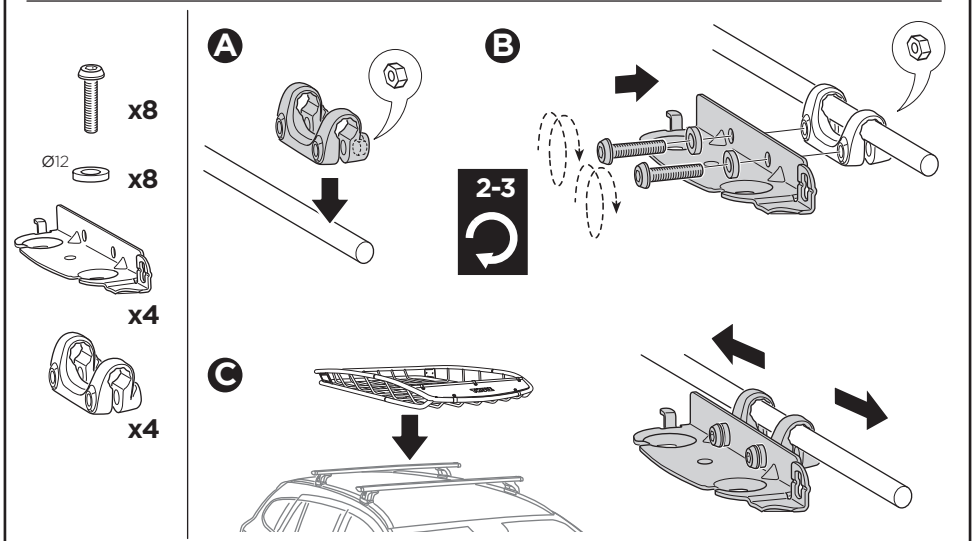
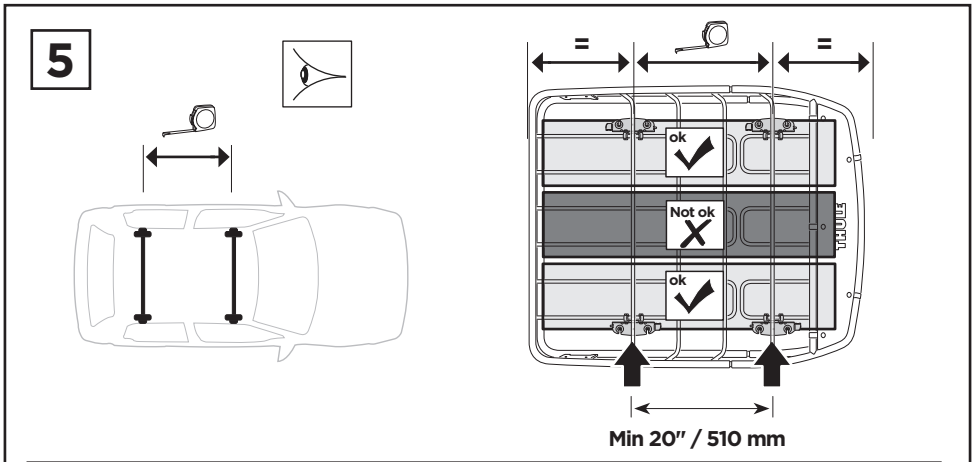
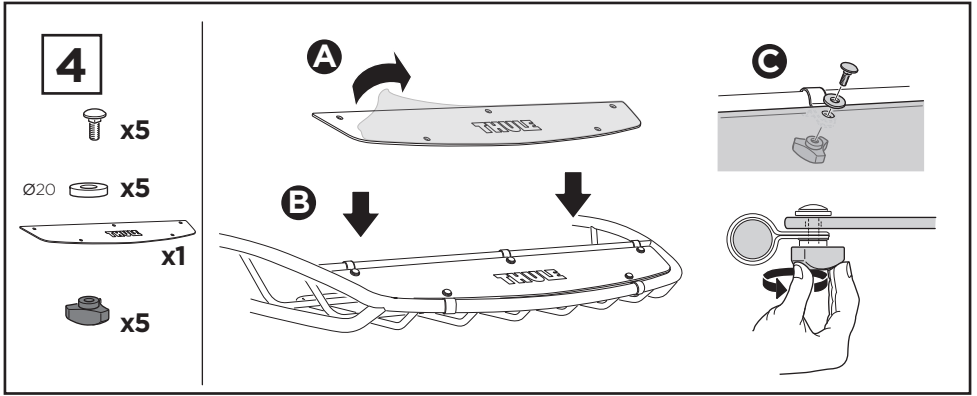
THULE ProBar



THULE SquareBar



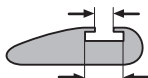




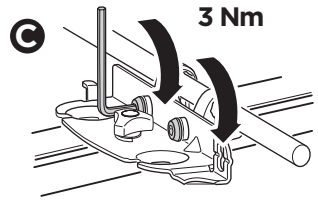
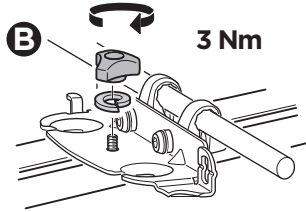
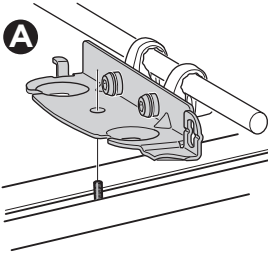
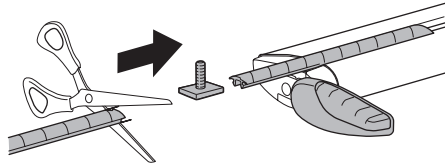
**6a**






 x4  
  x4  
  x4

Max 1/2" / 12 mm



Max 7/8" / 22 mm

**6b**

 x4  
  x4  
  x4  
  $\varnothing 12$   
  x8  
  x8

Max 3 1/2" / 90 mm

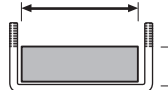
1 5/8"  
40 mm



Min 5/8" / 15 mm  
Max 1" / 25 mm

Max 3 1/2" / 90 mm

2"  
50 mm



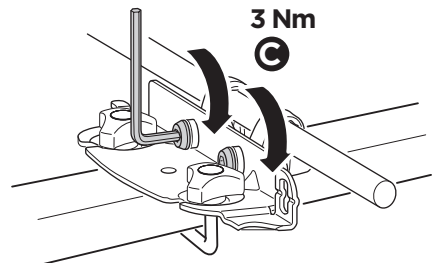
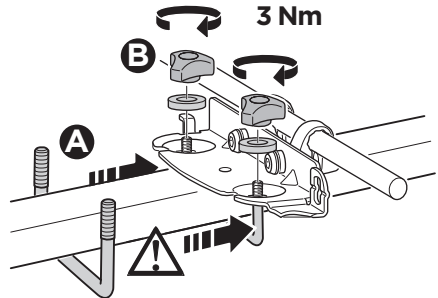
Min 1" / 25 mm  
Max 1 3/8" / 35 mm

Max 3 1/2" / 90 mm

2 3/8"  
60 mm

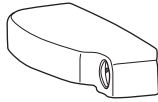


Min 1 3/8" / 35 mm  
Max 1 3/4" / 45 mm

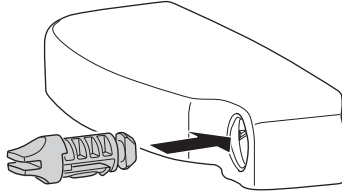


**7**

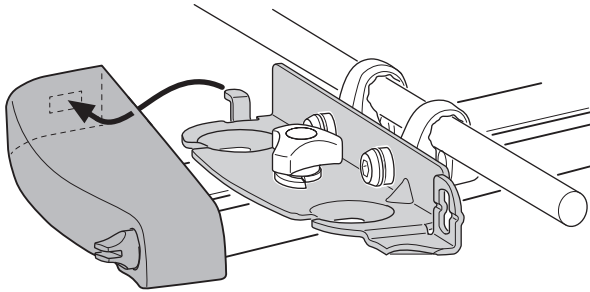
 x4

 x4

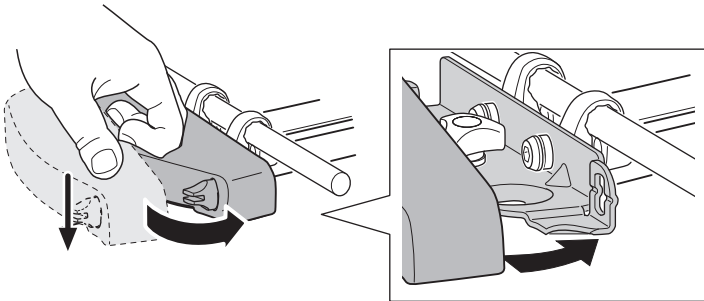
**A**



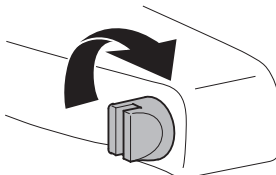
**B**



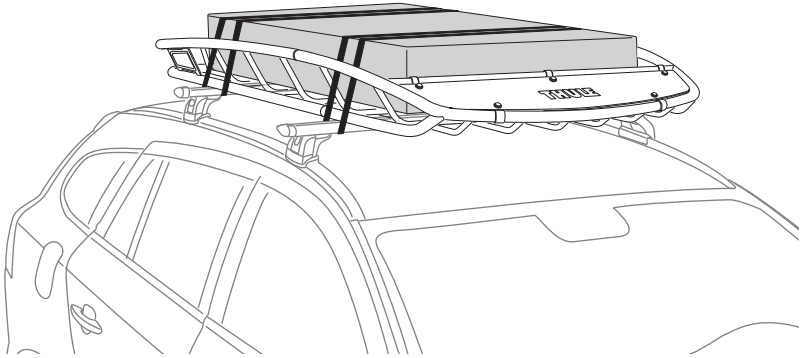
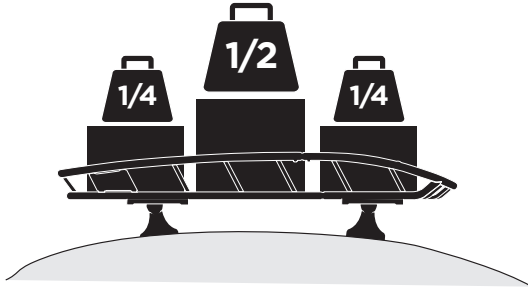
**C**



**D**



i





Thule Sweden AB, Box 69, 330 33 Hillerstorp, SWEDEN  
Thule Inc., 42 Silvermine Road, Seymour, Connecticut 06483, USA

» PART OF THULE GROUP



[info@thule.com](mailto:info@thule.com)

Phone: 800-238-2388

© Thule Group 2016. All rights reserved.



[www.thule.com](http://www.thule.com)

501-8134-02