

Thule Hydroglide 873

873/1000-43-4

5 *års garanti*
years warranty
Jahre Garantie
ans de garantie

Components:

2 kayak supports covered with rubber and 2 supports/slides with protective felt material and mountings, suitable for both square and T-track load bars. 2 straps with rubber protector around the buckle.

Materials:

Galvanized sheet steel with black polyester coating. Anticorrosion treated mounting elements. The 400 cm long straps are made of woven polypropylene fabric. Plastic parts of PA6 and felt material of polyester.

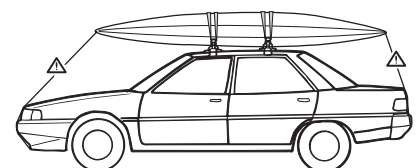
Mounting, etc.:

Follow the mounting instructions accompanying the product.

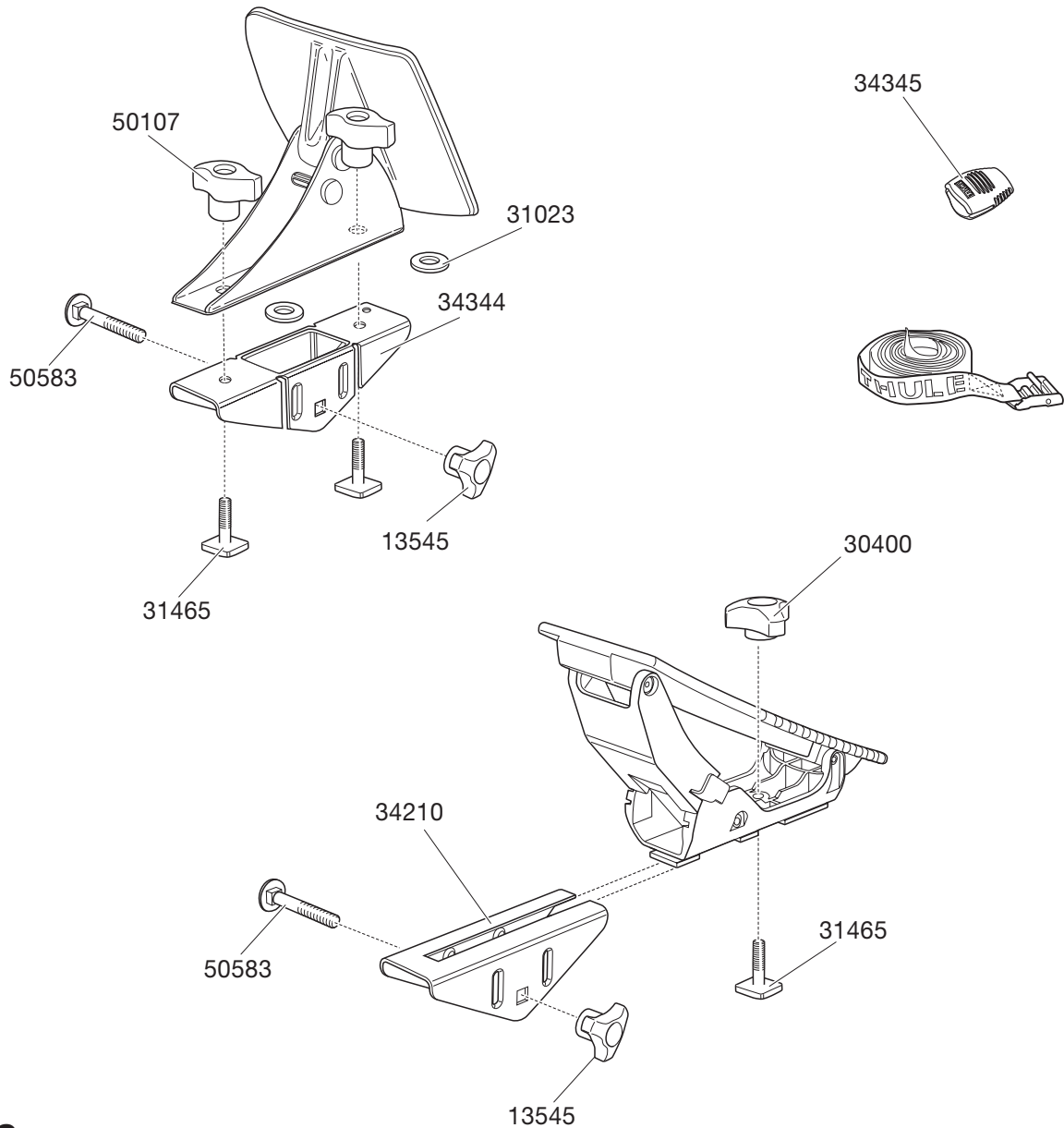
NOTE: During the journey, check at regular intervals that the load is firmly secured, and observe the car manufacturer's instructions concerning the maximum load on the roof.



- 2 self-adjusting supports covered with protective felt material that simplifies loading the kayak onto the roof of the car.
- 2 adjustable supports that mould themselves to the shape of the hull for optimum support and stability.
- Suitable for both square and T-track load bars.
- Also suitable for carrying small boats.
- Sturdy straps with protection around the metal buckle are included.
- When carrying a long load, secure it at the bottom to the front and rear of the car.
- A set consists of two kayak supports covered with rubber and two supports/slide holders covered with protective felt material.
- Approved by TÜV.



Thule Hydroglide 873



873 1000-43-4

410/1

Individual packaging

Pallet

Product	EAN	Kg	L/W/H in cm
873	7313020011981	3,0	50/19/12

Product	Qty/kg	L/W/H in cm
873	72/230	100/80/119