

Thule Multipurpose holder 855

855/855000

5 *års garanti*
years warranty
Jahre Garantie
ans de garantie

Components:

2 bases with pad and mounting bag.

Materials:

Plastic parts in PA and TPE.
Locking cable in plastic coated steel wire.

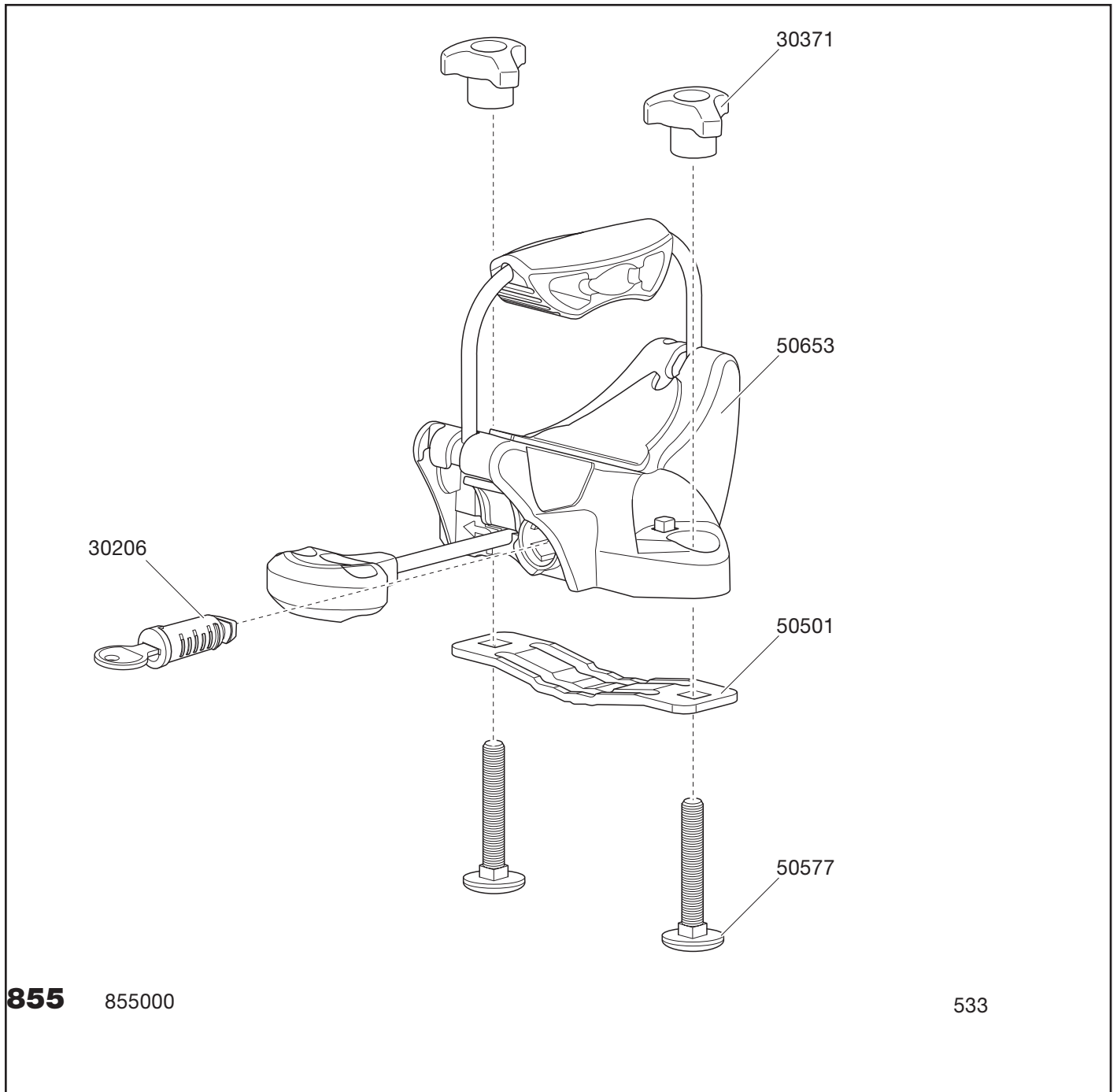
Mounting, etc.:

Mount in accordance with the instruction included in the packaging. Slide cleat to release position or hold cleat up. Pull back side of cable to release tension. Place object into base. Lock cable and pull handle to tighten. Check security of object.



- Flexible system for carrying paddles, oars, masts and other long items.
- Integrated cable secures items and deters theft of expensive paddles.
- Mounts to square bars and around aero bars.
- Equipment protection provided by integrated rubber cushion.
- TÜV approval.

Thule Multipurpose Holder 855



855 855000

533

Individual packs

Pallet

Product	EAN	Kg	L/W/H in cm
855	7313020013008	1,1	24,8x16,7

Product	Qty/kg	L/W/H in cm
855	180/198	120/80/95