

Foot pack 420/427

For vehicles with rain gutters and high roofs

420/1057-1

427/1057-12 (2 pack)

5 *års garanti*
years warranty
Jahre Garantie
ans de garantie

Components:

Foot pack, comprising 4 feet, 8 brackets, 4 lockable caps and fittings.

Note:

Must be supplemented with 2 load bars and height extension adapter where required to give a complete load carrier. See Thule Roof Rack Guide.

Materials:


Feet and brackets in galvanized, powder coated steel plate with Pebax plastic coating. Height between rain gutters and load bars without adapters = 270 mm.

Function:

Position the feet in the rain gutters. The brackets are fixed in position with the help of knobs. Recommended minimum distance between bars: 700 mm.

For cars with high roof (22-72 cm between the raingutter and the load carrier) please use adapter 421-423, see Thule Roof Rack Guide.

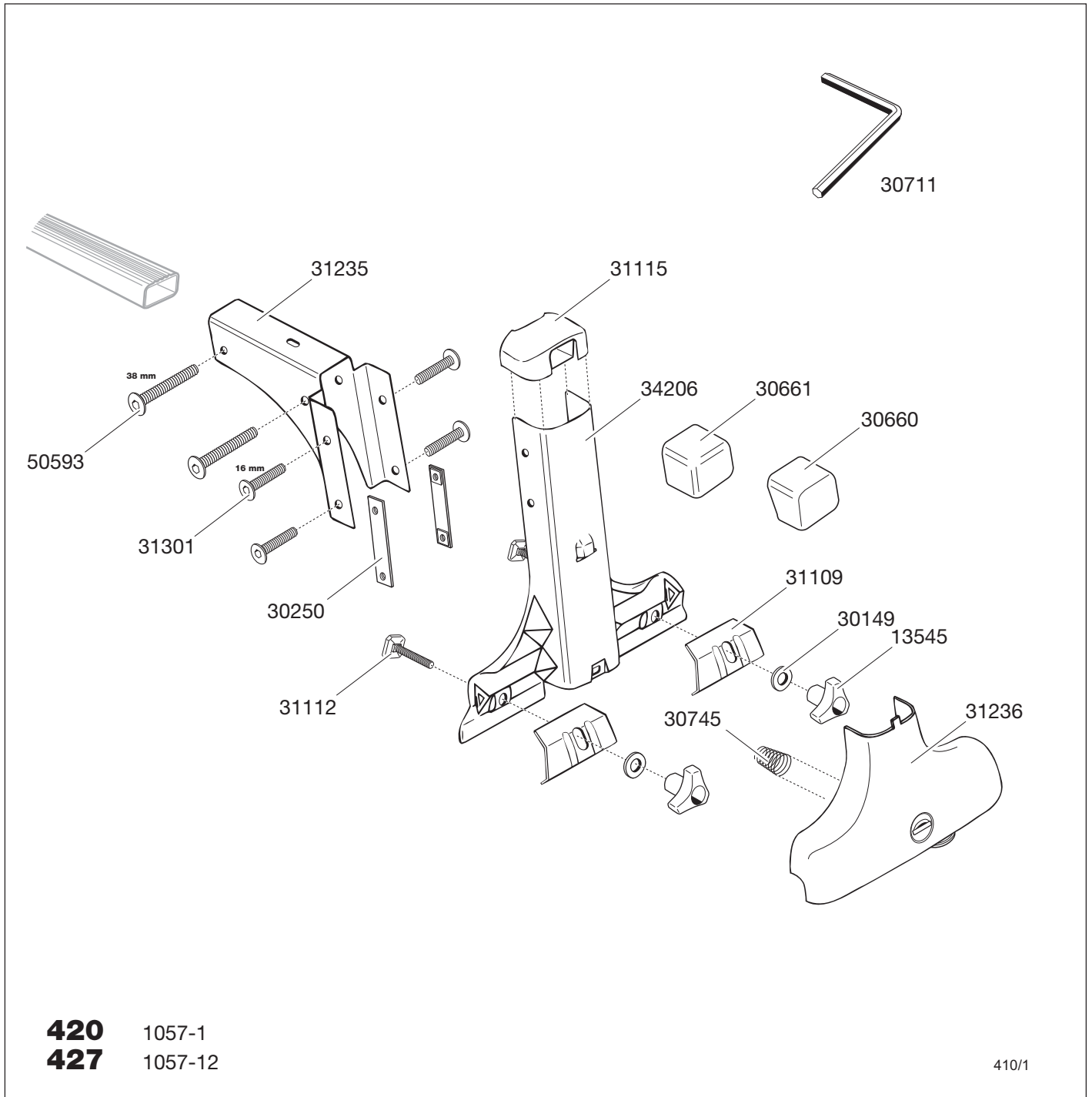


- Very stable construction.
- Pebax coating and double foot attachments ensure optimum protection of the paintwork against scratches and other damage.
- Flexible height adjustment with the help of height extension adapters.
- Complete with locks.
- Patented THULE design.
- Featuring THULE's One Key System. 
- Maximum roof load: Observe the vehicle manufacturer's instructions

420	100 kg
420 + 421	100 kg
420 + 422	85 kg
420 + 423	75 kg

Foot pack 420/427

For vehicles with rain gutters and high roofs



Individual packs

Pallet

Product	EAN	Kg	L/W/H in cm
420	7313020004204	7,0	70/30/13
427	7313021057124	3,7	51/30/8

Product	Qty/kg	L/W/H in cm
420	21/162	120/80/108
427	78/296	120/80/115