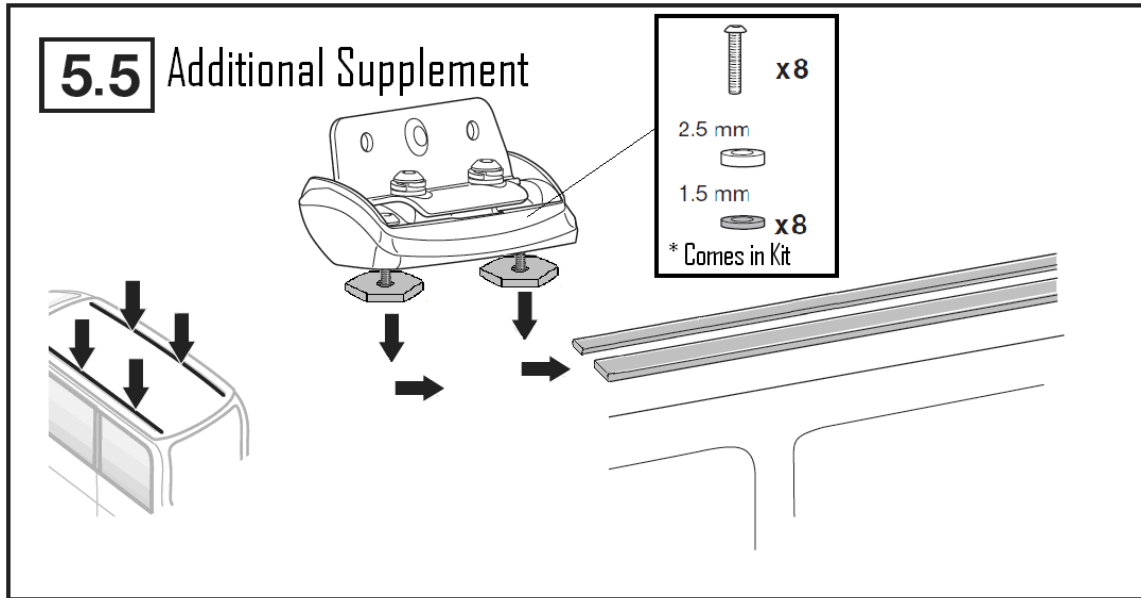
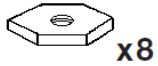


TK3101- TRACK



- Please check internal track clearances for the brass hex nuts. May require positioning nuts before installing the track.
- May require removal or additional washers depending on track thickness (1.5mm or 2.5mm or both).
- Please check internal clearance once bolts are tightened.