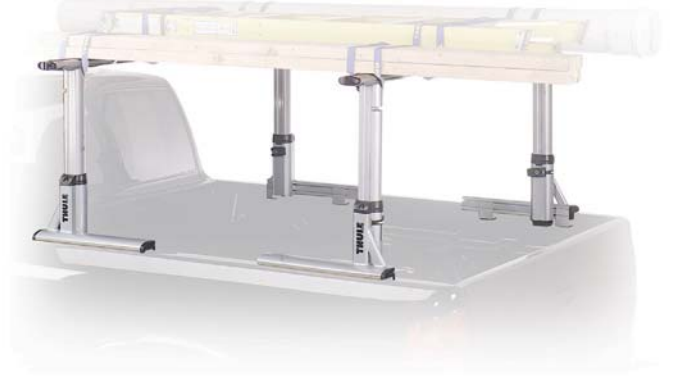


Xsporter Ute Rack

A Heavy-Duty rack system designed to maximize the load capacity of most Ute's with a 200kg load rating.



1. Height adjustable 2 setting load bars – **low position**, easy loading and unloading for bikes, snowboards and short surfboards.
2. Height adjustable 2 setting load bars – **high position**, long loads are held secure while the tray remains usable for other items.
3. Easy to install with no drilling required.
4. Length of cross bar 180cm.
5. Aerodynamic crossbars can accommodate all THULE Aero Bar accessories.
6. 200kg load rating.
7. Height from ute rail to top of cross bar is 63cm (Part No:421) and 72cm (Part No: 422)
8. Long lasting, great looking, interchangeable between ute's and made from high strength aluminum construction.
9. LC XStops included



Fitting List:

Ford Courier 02/99 on
 Ford Falcon Ute AU 09/98 to 06/02
 Ford Falcon Ute BA 07/02 on
 Ford F-150 2&4dr 2003 on
 Ford F-250, 350 2&4dr 2002 on
 Holden Commodore Ute VN to VS
 Holden Commodore Ute VT, VX, VY 97 on
 Holden Commodore Crewman 2003 on
 Holden Rodeo 88 to 03/03
 Holden Rodeo 04/03 on
 Mazda B-Series Bravo 02/99 to 07
 Mitsubishi Triton 11/96 to 06/06
 Mitsubishi Triton 07/06 on
 Nissan Navara (D22) 86 on
 Nissan Navara (D40) 11/05 on
 Toyota Hilux SR5 11/97 to 02/05
 Toyota Hilux 03/05 on

Part No:

LC 421
 No Fit
 No Fit
 LC 421
 LC 422
 No Fit
 No Fit
 No Fit
 LC 421
 LC 421
 LC 421
 LC 421
 LC 421
 LC 421
 LC 421
 LC 421



Part No: LC XStop (included)